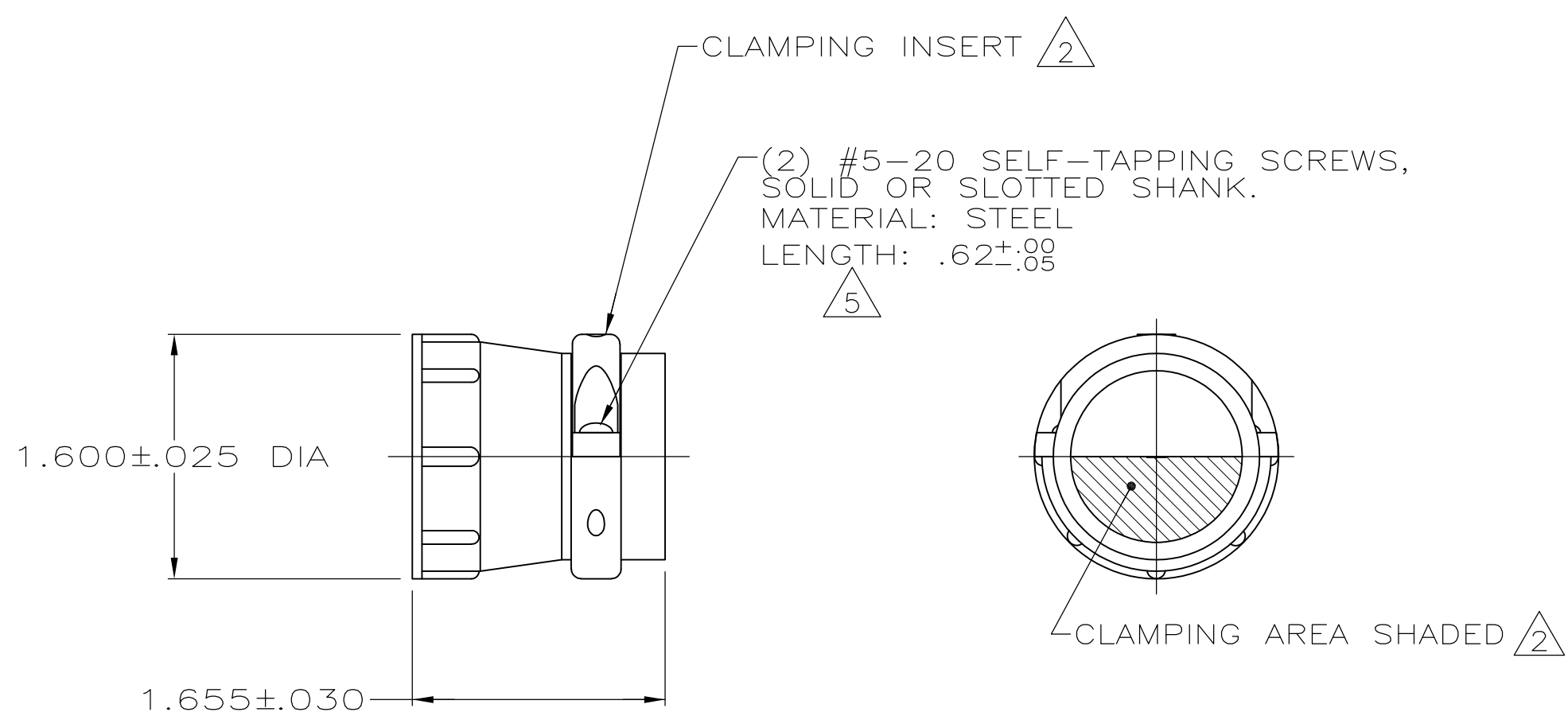


THIS DRAWING IS UNPUBLISHED. RELEASED FOR PUBLICATION
 © COPYRIGHT - By - ALL RIGHTS RESERVED.

LOC	DIST	REVISIONS			
P	LTR	DESCRIPTION	DATE	DWN	APVD
BD	0	G3	REVISED PER ECO-11-004587	11MAR11	RK HMR



- 1 PARTS PACKAGED UNASSEMBLED.
- $\triangle 2$ CABLE CLAMPING AREA ADJUSTABLE FROM .261 TO .517 SQ IN BY CHANGING CLAMPING INSERT.
- 3 1.125 MAXIMUM CABLE OUTSIDE DIAMETER.
- $\triangle 4$ BULK PACKAGED KITS TO BE ORDERED IN MULTIPLES OF 75 ONLY.
- $\triangle 5$ FINISH: ZINC NON-HEXAVALENT CHROMATE.
- $\triangle 6$ OBSOLETE PARTS: OBSOLETE CIS STREAMLINING PER D.RENAUD/D.SINISI

SCREW FINISH	PACKAGING	PART NUMBER
$\triangle 5$	$\triangle 4$ BULK	206512-6
$\triangle 5$	INDIVIDUAL	206512-5
$\triangle 5$	SMALL PACK	206512-4
$\triangle 5$	SMALL PACK	206512-3
$\triangle 5$	$\triangle 4$ BULK	206512-2
$\triangle 5$	INDIVIDUAL	206512-1

$\triangle 6$ OBSOLETE
 OBSOLETE
 SUPERSEDED BY 206512-6
 SUPERSEDED BY 206512-5

THIS DRAWING IS A CONTROLLED DOCUMENT.		DWN A GRAFF 4/29/91	STE TE Connectivity													
DIMENSIONS: INCHES		CHK W.G.LENKER 7-23-92														
TOLERANCES UNLESS OTHERWISE SPECIFIED:		APVD -	NAME CABLE CLAMP KIT, LARGE, SHELL SIZE 23, CPC													
<table border="0"> <tr><td>0 PLC</td><td>\pm -</td></tr> <tr><td>1 PLC</td><td>\pm -</td></tr> <tr><td>2 PLC</td><td>\pm -</td></tr> <tr><td>3 PLC</td><td>\pm -</td></tr> <tr><td>4 PLC</td><td>\pm -</td></tr> <tr><td>ANGLES</td><td>\pm -</td></tr> </table>		0 PLC	\pm -	1 PLC	\pm -	2 PLC	\pm -	3 PLC	\pm -	4 PLC	\pm -	ANGLES	\pm -	PRODUCT SPEC 108-10024	SIZE A3	
0 PLC	\pm -															
1 PLC	\pm -															
2 PLC	\pm -															
3 PLC	\pm -															
4 PLC	\pm -															
ANGLES	\pm -															
MATERIAL THERMOPLASTIC		FINISH -	APPLICATION SPEC -	CAGE CODE 00779												
		WEIGHT -	DRAWING NO C-206512	RESTRICTED TO -												
		CUSTOMER DRAWING		SCALE 1:1												
				SHEET 1 OF 1												
				REV G3												